



MICRO SWITCH

FREEPORT, ILLINOIS, U.S.A.
A DIVISION OF HONEYWELL

FED. MFG. CODE 91929

SWITCH-BASIC

CATALOG LISTING

V3-15

CK-A1500

V3-15

M

DRAWING NUMBER

1819

ISSUE

1816

REVISIONS

A CO20189

M B F
11 MAY 65

B CO21688

M B F
3 OCT 66

C CO31509

R E R
22 JAN 73

D CO32395

K S W
24 FEB 76

E CO47241

G J W
MAR 80

F CO56987

S M A
1 OCT 85

G CO74634

K D R
5 MAY 93

REPLACES

RELEASE NO.

20MAY65

CHECK P.F.K.

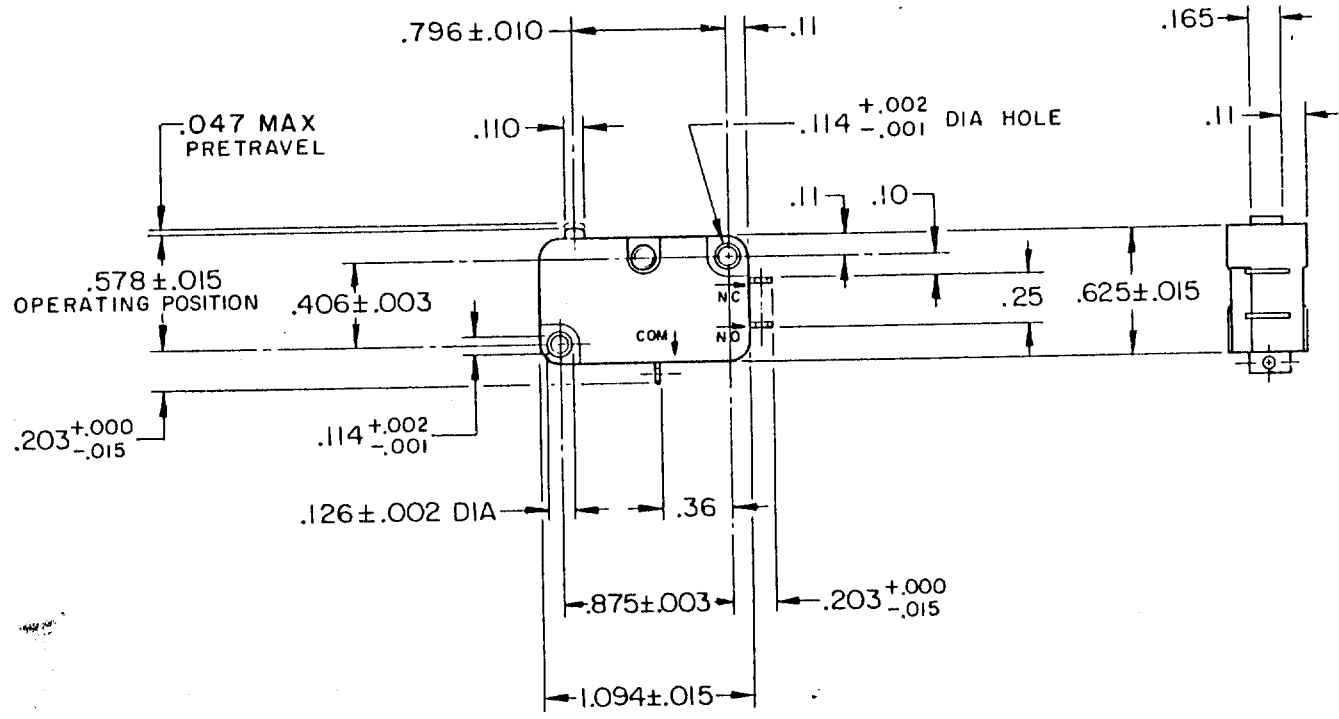
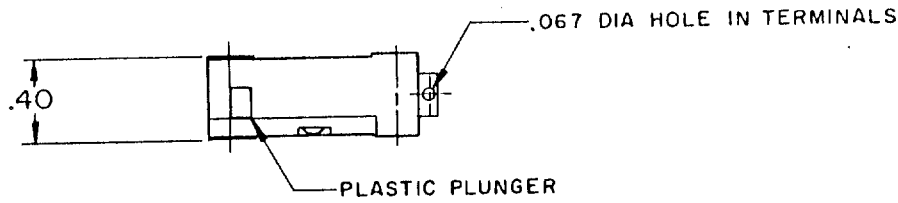
CHECK K.S.D.

CHECK K.S.D.

CHECK G.C.H.

CHECK

11 MAY 65



- NOTE-
- 1 - TERMINALS ARE PLATED FOR SOLDERING
 - 2 - PLUNGER MATERIAL WILL WITHSTAND TEMPERATURE OF 300°F

THIS DRAWING COVERS A PROPRIETARY ITEM AND IS THE PROPERTY OF MICRO SWITCH, A DIVISION OF HONEYWELL. THIS DRAWING IS NOT TO BE COPIED OR USED WITHOUT THE APPROVAL OF MICRO SWITCH.

CHARACTERISTICS	ELECTRICAL DATA	SCALE FULL
OPERATING FORCE — — — — 6 - 14 OZ	CONTACT ARRANGEMENT S P D T	DO NOT SCALE PRINT
RELEASE FORCE — — — — 4 OZ MIN	L83 15.1A 1/2HP 125 OR 250 VAC 1/2A 125 VDC, 1/4A 250 VDC 5A 125 VAC "L" RU ©	UNLESS OTHERWISE NOTED
RELEASE TRAVEL — — — — .007 MIN		DIMENSIONS ARE IN INCHES
DIFFERENTIAL TRAVEL — — — .006 - .016		TOLERANCES ARE:
OVERTRAVEL — — — — .040 MIN		TWO PLACE (.01) ± .030
FREE POSITION — — — — .625 MAX		THREE PLACE (.000) ± .015
		ANGLES ± .005
		WEIGHT .015 LB

0-50378